

GSM Antenna

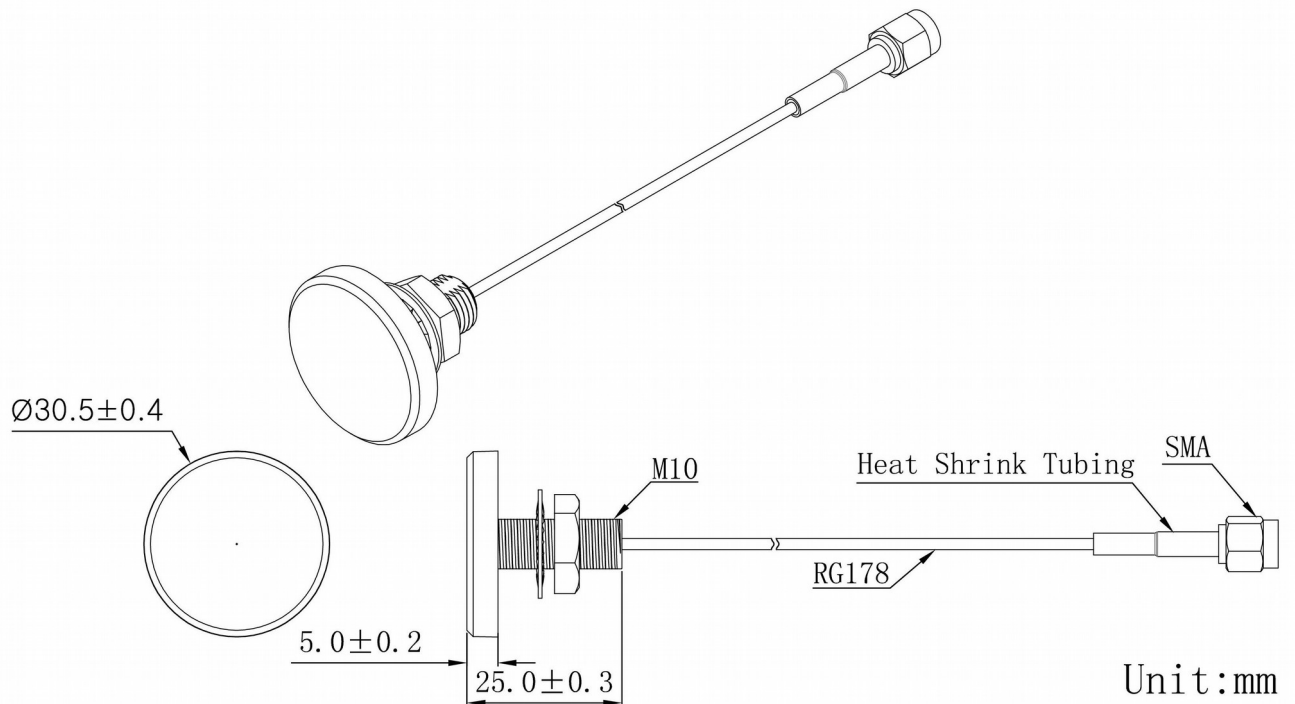
Model : GSM-ANT123



1 Part Number

GSM-ANT123

2 Dimension (Unit : mm)



3 Electrical Characteristics

Item	Specifications	
Antenna	Frequency Range	824~960 1710~2170MHz
	Polarization	Linear
	Gain	0,5 dBi
	V.S.W.R	< 2.0
	Impedance	50Ω
	Connector	SMA
Environmental	Operating Temperature	-40°C~+85°C
	Vibration	10 to 55Hz with 1.5mm amplitude 2hours
	Environmentally Friendly	ROHS Compliant

